

# GROUNDING

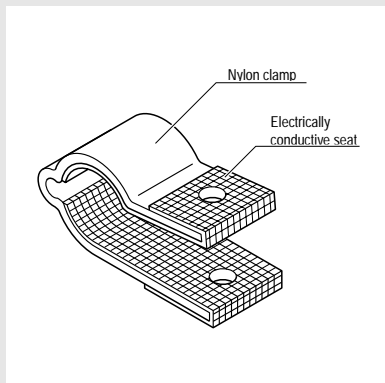
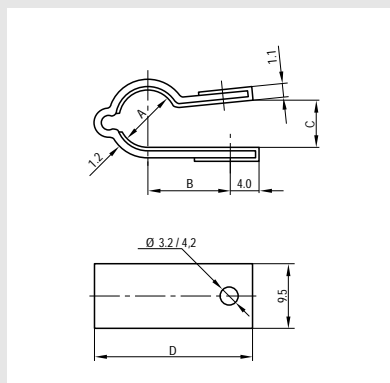
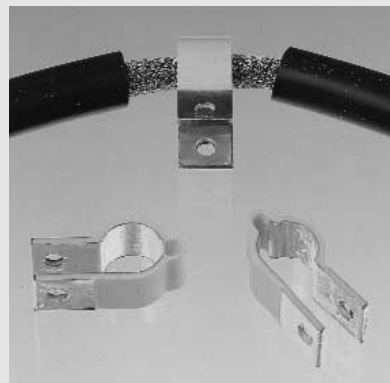
## GROUNDING CLAMP

### Features

- Flexible moulded clamps conform to the irregularities on cable grounding contact
- The power cable simultaneously fastened and grounded.
- Since it is made of resin, it is excellent in elasticity. Therefore, the cable is not damaged.
- Light-wight, excellent serviceability and safety.
- Screw mounting method

### Specifications

- Clamp material Nylon 6/6 (UL 94 V-0)
- Electrically conductive material Copper
- Mounting method Screw type (M3+ M4)



**The grounding function is combined with the resin made clamp.**  
 The ground clamp is not only fastens shielding cable, signal cable of various electrical equipment and devices, but also takes a grounding effect. Differing from existing metallic products, the new product is made of resin compounds. Therefore, it has proper elasticity and can be suitably fitted to the cable, thus excellent grounding is achieved.

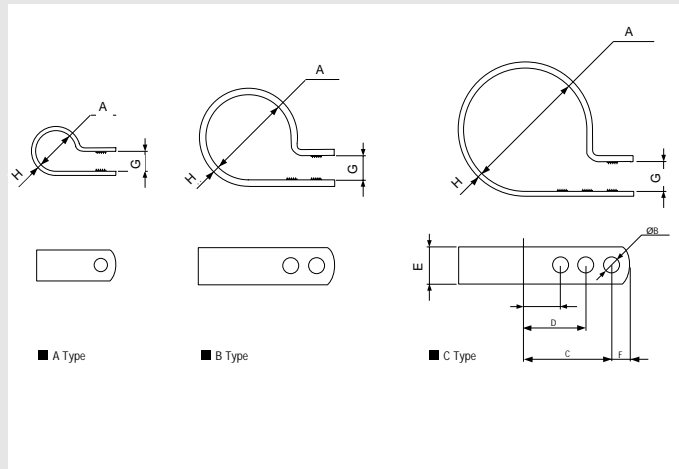
Part No.	A	B	Unit: mm		Applicable diameter
			C	D	
FGC-3 M3	Ø3.5	9.5	3.2	18.0	Ø3~Ø3.5
FGC-3 M4	Ø3.5	9.5	3.2	18.0	Ø3~Ø3.5
FGC-5 M3	Ø6.0	10.7	4.4	20.8	Ø5~Ø5.5
FGC-5 M4	Ø6.0	10.7	4.4	20.8	Ø5~Ø5.5
FGC-8 M3	Ø9.6	12.2	6.0	25.2	Ø8~Ø8.5
FGC-8 M4	Ø9.6	12.2	6.0	25.2	Ø8~Ø8.5

# GROUNDING

## GROUNDING CLAMP

### Features:

- The NK-NS Series is a highly flexible and light-weight cable clamp made of PA 6.6 (UL 94-V2) with a pure silvercoating.
- Round form- no sharp edges to damage cables
- Screw mounting method



Part No.	Type	Inner diameter			Diameter									
		Outer hole	Center hole	Inner hole	A	B	C	D	E	F	G	H	N	
NK-2NS	A	3.0 (.118)	—	—	3.3 (.130)	4.3 (.169)	9.5 (.374)	—	—	4.8 (.189)	4.8 (.189)	1.1 (.043)	9.5 (.374)	
NK-3NS		4.6 (.181)	—	—	5.3 (.209)	4.3 (.169)	10.3 (.406)	—	—	4.8 (.189)	4.8 (.189)	1.1 (.043)	9.5 (.374)	
NK-4NS		5.6 (.220)	—	—	6.8 (.268)	4.3 (.169)	11.1 (.437)	—	—	4.8 (.189)	4.8 (.189)	1.1 (.043)	9.5 (.374)	
NK-5NS		7.4 (.291)	—	—	8.4 (.331)	4.3 (.169)	11.9 (.469)	—	—	4.8 (.189)	4.8 (.189)	1.1 (.043)	9.5 (.374)	
NK-6NS		10.0 (.394)	—	—	10.6 (.417)	4.3 (.169)	12.7 (.500)	—	—	4.8 (.189)	6.3 (.248)	1.1 (.043)	9.5 (.374)	
NK-7NS		10.7 (.421)	—	—	12.2 (.480)	4.3 (.169)	13.5 (.531)	—	—	4.8 (.189)	6.3 (.248)	1.1 (.043)	9.5 (.374)	
NK-8NS		11.9 (.469)	—	—	13.2 (.520)	4.3 (.169)	14.3 (.563)	—	—	4.8 (.189)	6.3 (.248)	1.1 (.043)	9.5 (.374)	
NK-9NS		13.5 (.531)	—	—	15.2 (.598)	4.3 (.169)	15.1 (.594)	—	—	4.8 (.189)	6.3 (.248)	1.1 (.043)	9.5 (.374)	
NK-10NS		14.0 (.551)	—	—	16.0 (.630)	4.3 (.169)	15.9 (.626)	—	—	4.8 (.189)	6.3 (.248)	1.1 (.043)	9.5 (.374)	
NK-11NS		16.8 (.661)	—	—	19.0 (.748)	5.1 (.201)	17.5 (.689)	—	—	6.3 (.248)	7.9 (.311)	1.8 (.071)	12.7 (.500)	
NK-12NS		17.8 (.701)	—	—	19.8 (.780)	5.1 (.201)	18.2 (.717)	—	—	6.3 (.248)	7.9 (.311)	1.8 (.071)	12.7 (.500)	
NK-13NS		20.8 (.819)	—	—	22.1 (.870)	5.1 (.201)	19.0 (.748)	—	—	6.3 (.248)	7.9 (.311)	1.8 (.071)	12.7 (.500)	
NK-14NS		21.3 (.839)	—	18.5 (.728)	22.9 (.902)	5.1 (.201)	19.8 (.780)	11.9 (.469)	—	6.3 (.248)	7.9 (.311)	1.8 (.071)	12.7 (.500)	
NK-16NS		B	24.4 (.961)	—	22.3 (.878)	26.9 (1.059)	5.1 (.201)	21.4 (.843)	13.5 (.531)	—	6.3 (.248)	7.9 (.311)	1.8 (.071)	12.7 (.500)
NK-18NS	26.7 (1.051)		—	24.1 (.949)	29.2 (1.150)	5.1 (.201)	23.0 (.906)	15.1 (.594)	—	6.3 (.248)	7.9 (.311)	1.8 (.071)	12.7 (.500)	
NK-24NS	C	37.3 (1.469)	35.0 (1.378)	31.2 (1.228)	39.4 (1.551)	5.1 (.201)	27.8 (1.094)	19.8 (.780)	11.9 (.469)	6.3 (.248)	9.5 (.374)	1.8 (.071)	12.7 (.500)	
NK-32NS		51.0 (2.008)	46.2 (1.819)	43.7 (1.720)	52.1 (2.051)	5.1 (.201)	34.1 (1.343)	24.6 (.969)	13.5 (.531)	6.3 (.248)	9.5 (.374)	1.8 (.071)	12.7 (.500)	

MOQ 500pcs

Unit: mm (inches)