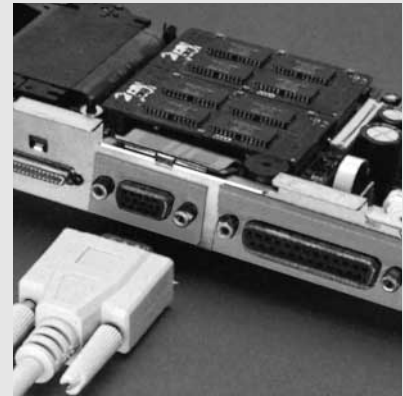
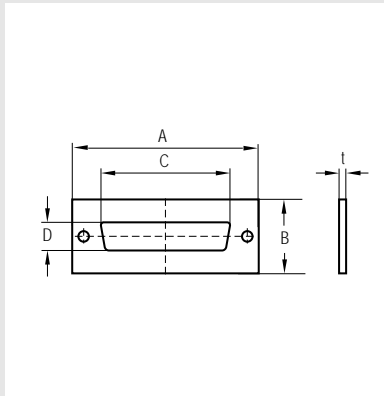


# SHIELDING

## D-SUB CONNECTOR-GASKETS

EMI SHIELDING FOR ALL STANDARD SIZES. Our new I/O Shielding (IOS™) gaskets enhance the performance of EMI shielding for D-Sub Connectors. Sized to fit standard D-Subminiature connectors, IOS gaskets provide multiple contact points to maintain conductivity, and compensate for tolerance stackup. Pressure-sensitive adhesive (PSA) tape is available, but not usually required for installation.

With no tooling costs, easy installation, and off-the-shelf availability, these gaskets are a simple and efficient solution to I/O shielding.



Type		A	B	C	D	t=1mm	t=2mm
9 Pins	D09	33.4	19.1	17.4	10.0	W29	W58
15 Pins	D15	41.7	19.1	25.7	10.0	W29	W58
25 Pins	D25	55.6	19.1	39.6	10.0	W29	W58
37 Pins	D37	71.9	19.1	55.9	10.0	W29	W58
50 Pins	D50	69.6	21.8	53.6	12.0	W30	W60

